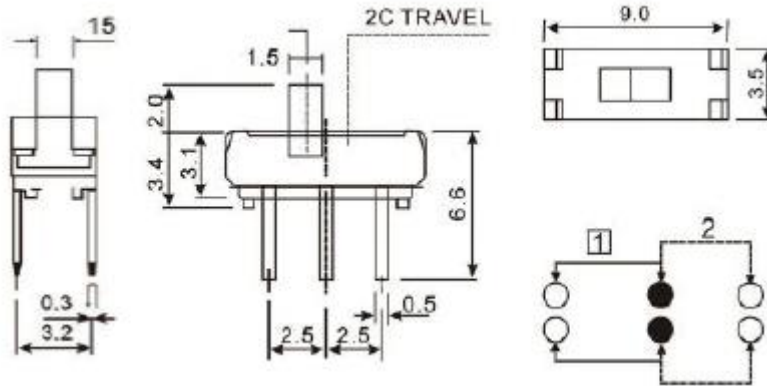


TACT SWITCH

Suntan®

TSS-1250



General Tolerance: $\pm 0.1\text{mm}$

MODEL NO	H (mm)
TSS-1250	2.0

CODE	OPERATING FORCE(gf)
E	200 \pm 100gf

SPECIFICATIONS

1. RATING: DC6V 0.3A
2. Circuit: 2C-2P
3. Timing: Non-Shorting
4. TRAVEL: 2mm
5. CONTACT RESISTANCE: 200m Ω Max.
6. LIFE: 10,000 Cycles Operations

**We also can supply H: 3mm, 4.4mm, please send us your inquiry by e-mail and remark what stem length you need.

Note: Specification are subject to change without notice. For more detail and update, please visit our website.