

Round Trimming Potentiometer – 3306 6mm

TSR-3306

微 調 電 位 器

- (Single-Turn / Cermet / Industrial / Open Frame)
- (2 Terminal Styles)



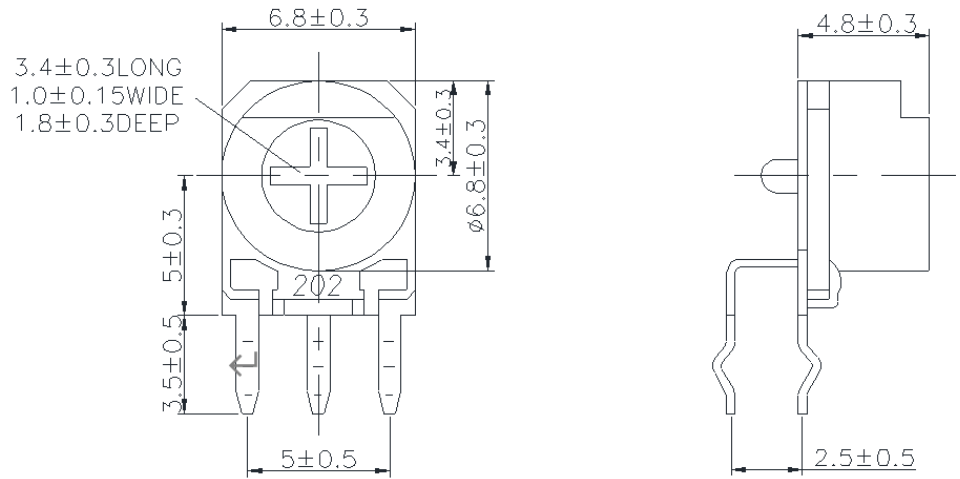
電氣特性 Electrical Characteristics	
Standard Resistance Range	100Ω - 1MΩ
Resistance Tolerance	±25% std
Terminal Resistance	≤±1%R or 30Ω
Contact Resistance Variation	(CRV) ≤ ±3%R or 5Ω
Resolution	Essentially infinite
Adjustment Angle	215°

環境特性 Environmental Characteristics	
Power Rating	0.2W (70°C)
Temperature Range	-30°C ~ +100°C
Temperature Coefficient	±250x10 ⁻⁶ /°C
Load Life (0.2W, 1000h, 70°C)	ΔR ≤ ±(5%R+0.1 Ω), CRV ≤ ±3%R or 5Ω
Rotational Life (200cycles)	ΔR ≤ ±(10%R+0.5 Ω), CRV ≤ ±3%R or 5Ω

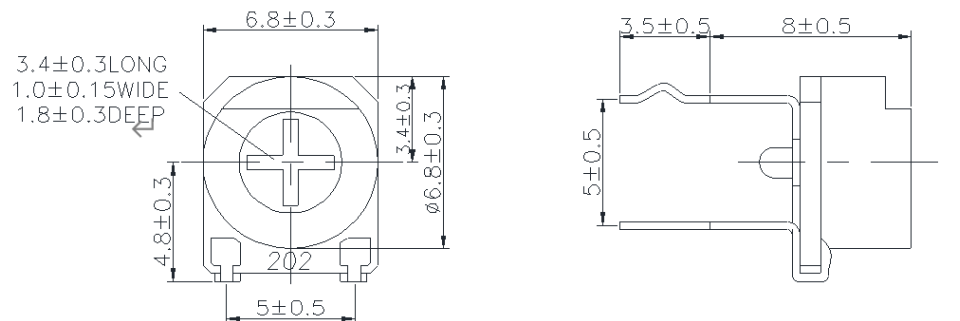
物理特性 Physical Characteristics	
Mechanical Angle	260°
Starting Torque	≤35mN.m
Stop Strength	≥50mN.m
Standard packaging	200pcs. Per bag

Common Dimensions

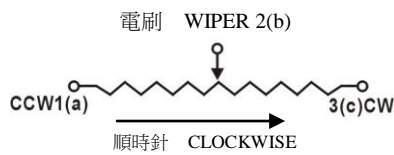
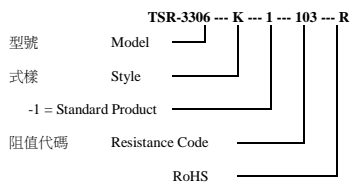
TSR-3306K



TSR-3306F



訂購指南 How to Order



阻值代碼表

Standard Resistance table

Resistance(Ohms)	Resistance Code
100	101
200	201
500	501
1,000	102
2,000	202
5,000	502
10,000	103
20,000	203
25,000	253
50,000	503
100,000	104
200,000	204
250,000	254
500,000	504
1,000,000	105

可按用戶要求提供特殊規格

Special resistances available.

Note: Specification are subject to change without notice. For more detail and update, please visit our website.