

TSR-14



TSR-14-10W



TSR-14-20W



TSR-14-25W



TSR-14-50W



TSR-14-75W



TSR-14-100W



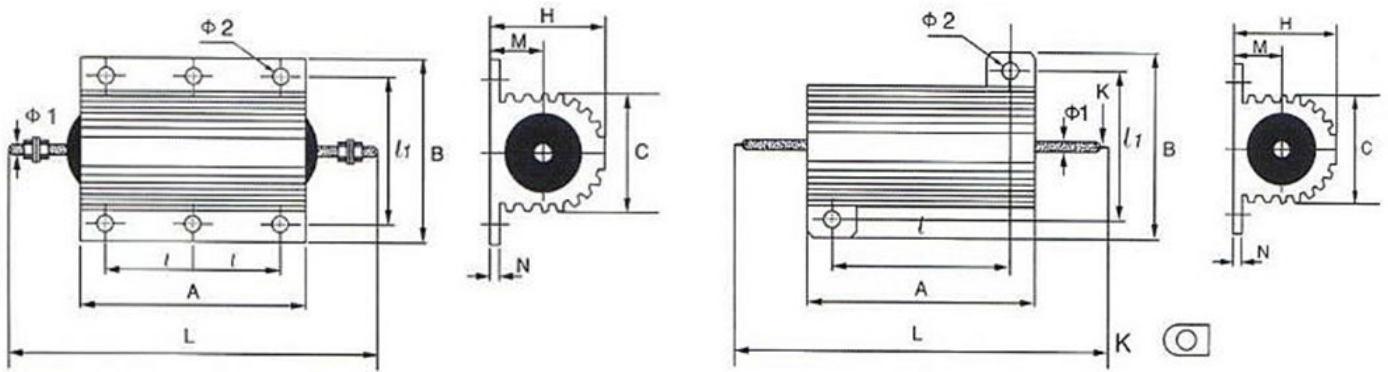
TSR-14-150W



TSR-14-200W

TSR-14

Dimensions (mm)



Technical Specification

Type	Rated Power	Dimensions(mm)												
		Resistor Body											HeatSink	
		A max	B	L max	H max	C	L	L1	M	N	Ø1	Ø2	Surface Area(cm ²)	Thickness (mm)
TSR-14	5	15.5	16	36.5	8	8.5	11.4	12	4.4	1.5	1.5	2.2	415	1
	10(15)	19.5	21	40.5	10	11.2	14	16	5	2	2	2.5	415	
	20(15/25)	27	27	48	13	14.3	18.3	20	7	2	2	3.5	535	
	30(25)	34	29	55	15.5	16.3	25	22	7.3	2	2	3.5	535	
	50	50	30	72	15.5	16.3	0	20.5	7.3	2	2	3.5	995	
TSR-G4	75/100	65.5	48	93.5	26	27	23.5	37	11.5	3.5	M3	4.4	995	3
	100/150	98	48	126	26	27	35	37	11.5	3.5	M3	4.4	995	
	150	130	48	158	26	27	52	37	11.5	3.5	M3	4.4	995	
	200	92	73	132	45	46.5	35	58	21	5	M6	5.5	3750	
	250	112	73	152	45	46.5	45	58	21	5	M6	5.5	4765	
	300	130	73	170	45	46.5	51	58	21	5	M6	5.5	5780	
	500	204	73	244	45	46.5	87	58	21	5	M6	5.5	5800	

TSR-14

Main Characteristics

Type	Rated Power		Resistance Range(Ω)	Tolerance(%)	T.C.R.(×10 ⁻⁶ /°C)	Voltage(V)
	With Shell	Without Shell				
TSR-14	5	3	0.01~1K	±1 ±5	±100 ±50	1000
	10(15)	8	0.01~1.5K			
	20(15/25)	12.5	0.01~20K			
	30(25)	15	0.01~27K			
	50	20	0.01~33K			
TSR-G4	75	45	0.01~39K			
	100	50	0.01~51K			
	150	55	0.01~56K			
	200	50	0.01~62K			
	250	60	0.01~68K			
	300	75	0.01~75K			
	500	200	0.01~82K			
					2000	

Note: Specifications are subject to change without notice. For more detail and update, please visit our website.