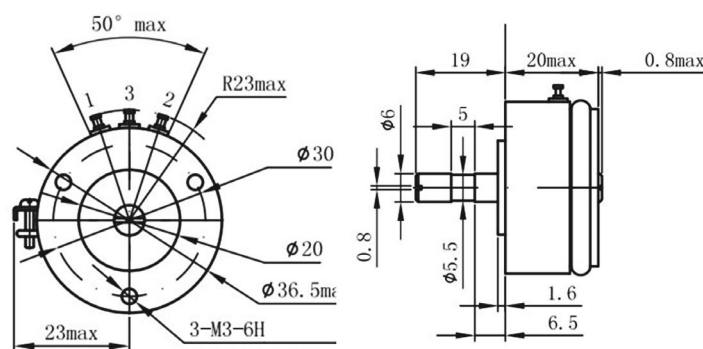


TSR-09



Dimensions (mm)



Electrical Characteristics	
Standard Resistance Range	1KΩ~10KΩ
Resistance Tolerance	±1% (precision) ±15% (Standard)
Independent Linearity	±0.1% (precision) ±1% (Standard)
Electrical Travel	345° ±2% (Customized angle is available)
Power Rating	2W(70°C)
Temperature Coefficient	±400p.p.m. /°C
Insulation Resistance	≥ 1000MΩ(500VD.C)
Dielectric Strength	1000V(AC.RMS)1min
Output Smoothness	≤±0.1%

Mechanical Characteristics	
Total Rotational Angle	360° (endless)
Start Torque	≤10*10 ⁻⁴ N·M

Environmental Characteristics	
Temperature range	-55 °C ~ +125 °C
Vibration dynamic	15G 2000 hz
Mechanical life	50,000,000 RPM
Shock	50G 11ms

Note: Specifications are subject to change without notice. For more detail and update, please visit our website.