

# TSR-04

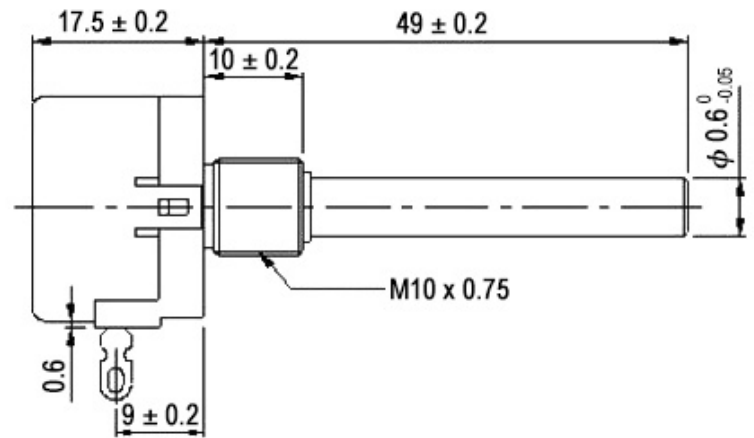
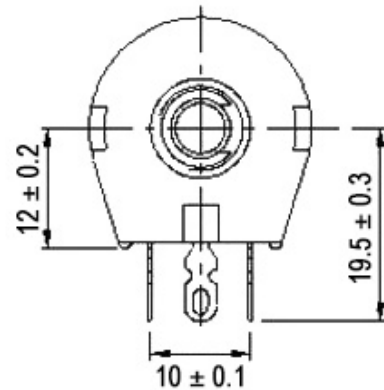


Common Dimensions

Electrical Characteristics	
Range of nominal resistance	5Ω~22KΩ
Resistance tolerance	±5%
Terminal resistance	≤±0.2%R or 5Ω
Peak Noise	≤100Ω
Insulation resistance	≥ 200MΩ(100VAC)
Withstand voltage	500V (DC or AC peak value)
Electrical angle	258°±5°
Rated power	1W(300V 70°C)

Environment Characteristics	
Temperature range	-55°C~+125°C
TCR	±100×10 <sup>-6</sup> /°C
Collision (390m/S2, 4000 times)	ΔR≤±1%R
Vibration (10-500HZ, 0.75mm, 6h)	ΔR≤±1%R, ΔUab/Uac≤±2%R, Electrical break≤100μS
Temperature variation (-55°C/30min, +125°C/30min, 5cycles)	ΔR≤±2%R, ΔUab/Uac≤±2%R
Climate category (IEC68-2-2)	ΔR≤±(5%R+0.1Ω), Insulation Resistance≥100MΩ
Electrical endurance(2W,1000h)	ΔR≤± 3%R
Mechanical endurance (1000 cycles)	ΔR≤± (10%R+0.5Ω), CRV≤±3%R or 5Ω
Steady damp heat (IEC68-2-3, Ca, 96h)	ΔR≤± 3%R, Insulation Resistance≥100MΩ, starting torque ≤20mN.m

Physical Characteristics	
Total mechanical travel	300° ± 5 °
Rotational torque	2-10mN.m
Standard package	25 pcs /box



Note: Specifications are subject to change without notice. For more detail and update, please visit our website.