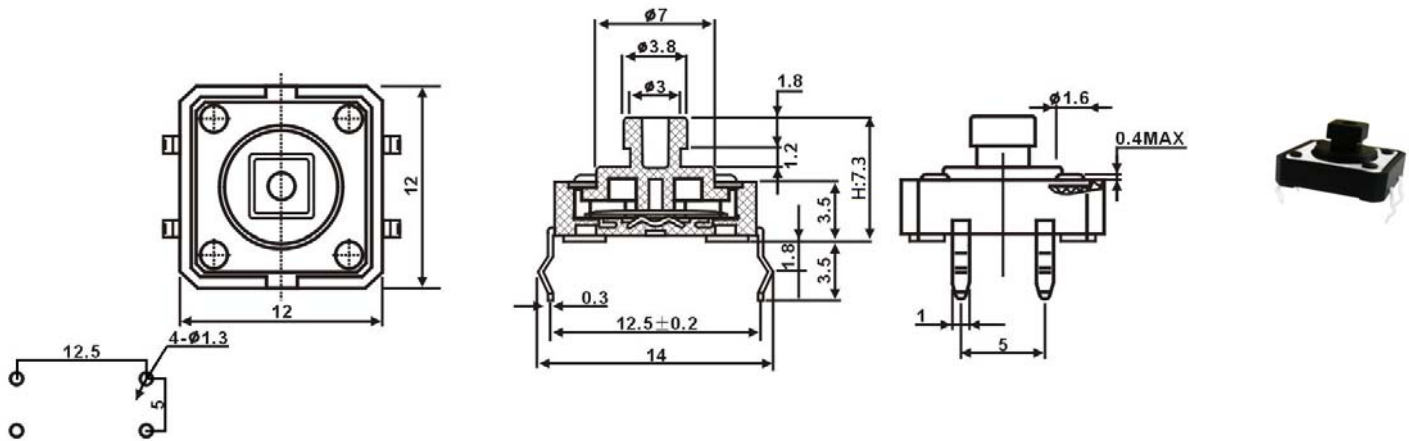


TSS-TC-12XT



MODEL NO	Guide Pin
TSS-TC-12XT	Without
COVER	CODE
Plastic	A01
Metal	A00

CODE	OPERATING FORCE(gf)
X	160±50
Z	250±100

SPECIFICATIONS

1. RATING:DC 12V 50mA
2. TRAVEL:0.25±0.1mm
3. CONTACT RESISTANCE 100mΩ MAX
4. LIFE: normal 50,000~100,000 times
(over 100,000 times on request)

Note: Specification are subject to change without notice. For more detail and update, please visit our website.

Suntan® Technology Company Limited Website: www.suntan.com.hk Email: info@suntan.com.hk Tel: (852) 8202 8782 Fax: (852) 8208 6246