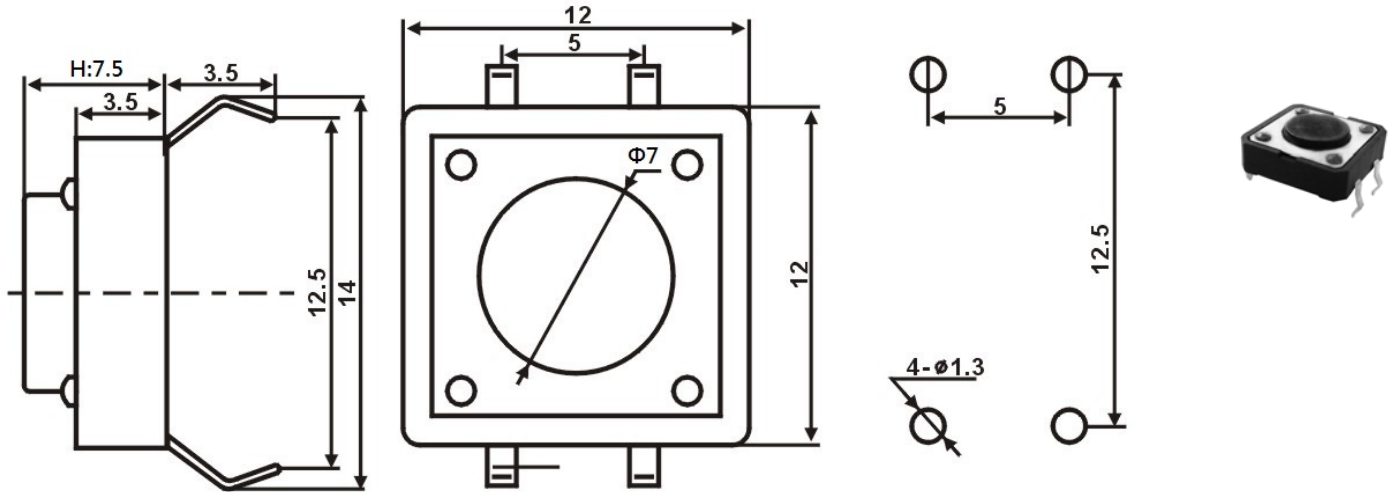


TSS-TC-12XA



MODEL NO	Guide Pin
TSS-TC-12XA	Without
COVER	CODE
Plastic	A01
Metal	A00

CODE	OPERATING FORCE(gf)
X	160±50
Z	250±100

SPECIFICATIONS

1. RATING:DC 12V 50mA
2. TRAVEL:0.25±0.1mm
3. CONTACT RESISTANCE 100mΩ MAX
4. LIFE: normal 50,000~100,000 times
(over 100,000 times on request)

**We also can supply below H, please send us your inquiry by e-mail and remark what H you need.

4.3mm, 5mm, 6mm, 7mm, 8mm, 8.5mm, 9mm, 9.5mm, 10mm, 11mm, 12mm, 13mm, 14mm, 15mm

Note: Specification are subject to change without notice. For more detail and update, please visit our website.