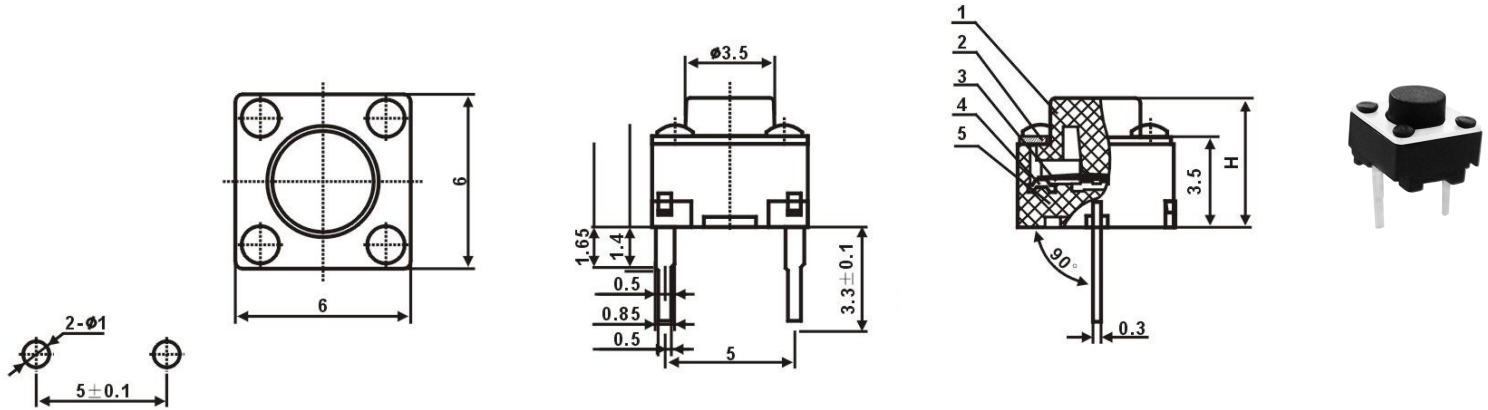


# TACT SWITCH

Suntan®

TSS-TC-0402



MODEL NO	H (mm)
TSS-TC-0402	4.3
TSS-TC-0403	5
TSS-TC-0404	7
TSS-TC-0406	8
TSS-TC-0407	8.5
TSS-TC-0408	9.5

CODE	OPERATING FORCE(gf)
T	100±30
V	130±30
X	160±50
W	170±50
Y	190±50
Z	250±100

## SPECIFICATIONS

1. RATING:DC 12V 50mA
2. TRAVEL:0.25± 0.1mm
3. CONTACT RESISTANCE 100mΩ MAX
4. LIFE: normal 50,000~100,000 times  
(over 100,000 times on request)

\*\*We also can supply below H, please send us your inquiry by e-mail and remark what stem length you need.

4.5mm, 5.5mm, 6mm, 6.5mm, 7.5mm, 9mm

Note: Specification are subject to change without notice. For more detail and update, please visit our website.

Suntan® Technology Company Limited Website: [www.suntan.com.hk](http://www.suntan.com.hk) Email: [info@suntan.com.hk](mailto:info@suntan.com.hk) Tel: (852) 8202 8782 Fax: (852) 8208 6246