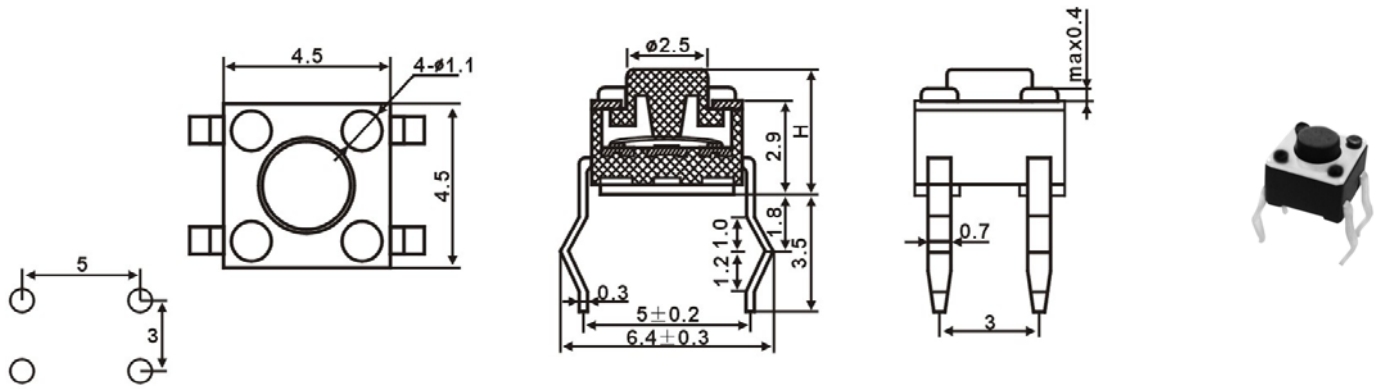


TSS-TC-0010



MODEL NO	H (mm)
TSS-TC-0010	3.8

CODE	OPERATING FORCE(gf)
X	160±50
Z	250±100

SPECIFICATIONS

1. RATING:DC 12V 50mA
2. TRAVEL:0.25±0.1mm
3. CONTACT RESISTANCE 100mΩ MAX
4. LIFE: normal 50,000~100,000 times
(over 100,000 times on request)

**We also can supply H: 5mm, 6mm, 7mm, please send us your inquiry by e-mail and remark what stem length you need.

Note: Specification are subject to change without notice. For more detail and update, please visit our website.

Suntan® Technology Company Limited Website: www.suntan.com.hk Email: info@suntan.com.hk Tel: (852) 8202 8782 Fax: (852) 8208 6246