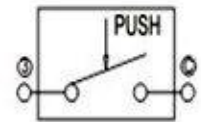
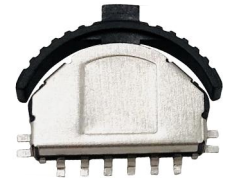
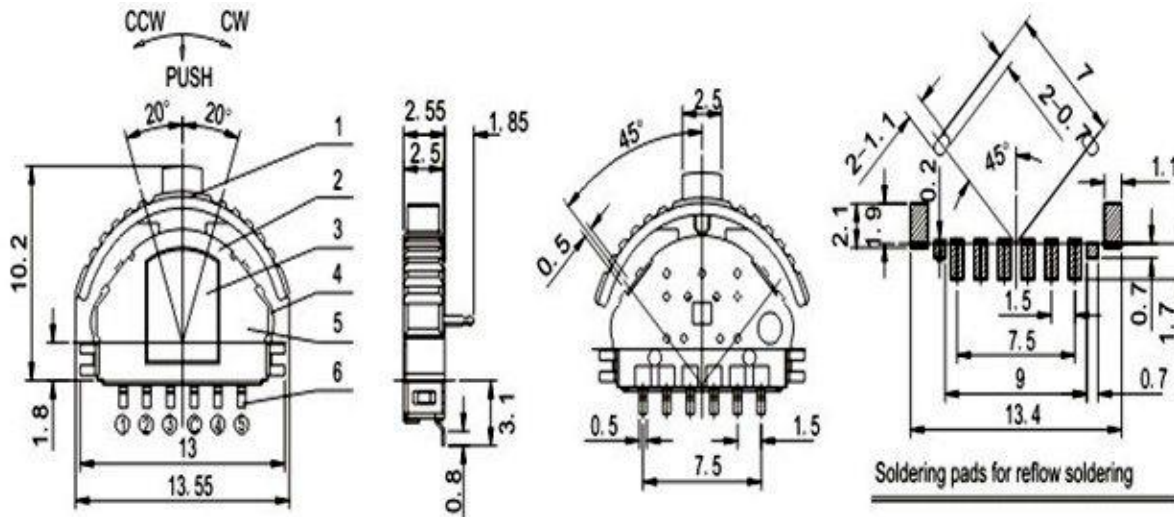


LEAVE SWITCH

Suntan®

TSS-LE-C



Tape & Reel Option
Yes

CODE	OPERATING FORCE (gf)
E	200±100

SPECIFICATIONS

1. RATING: DC 12V / 50mA
2. CONTACT RESISTANCE: $\leq 50\text{m}\Omega$
3. LIFE: More than 100,000 times
4. INSULATION RESISTANCE: $\geq 100\text{M}\Omega$
5. VOLTAGE PROOF: 250V AC / 1min

Note: Specification are subject to change without notice. For more detail and update, please visit our website.