

Trimmer Potentiometer-8mm Ceramic

Suntan®

DISCONTINUED

TSR-825

玻璃釉微調電位器

- 8mm Round/ Single-Turn/ Cermet Industrial/ Open Frame
- Cross slot adjustment options
- Horizontal and vertical mounting styles
- Dust resistant/ splash resistant covers
- PC board stand-offs and retention feature
- Front and top adjust styles

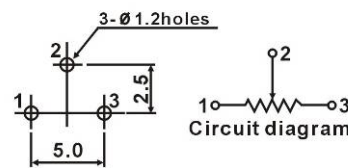
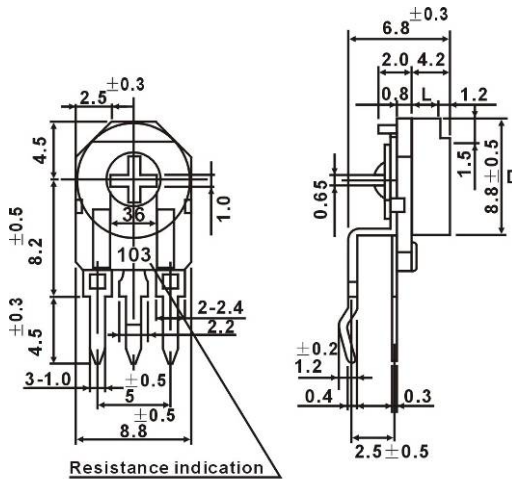


Electrical Characteristics	
Standard Resistance Range	100Ω to 1meg ohm (see standard resistance table)
Resistance Tolerance	±20% (TK±25%)
Adjustment Angle	280°C ±15°C
Residual Resistance	≤500Ω, 10Ω>500Ω, 2% (TK≤1KΩ, 2KΩ>1KΩ, 5%)

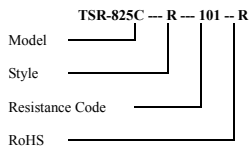
Environmental Characteristics	
Power Rating Max Working Voltage	250V (TK0.1Watt)
70°C	0.3Watt (TK0.2Watt)
Temperature Range	-30°C to +100°C (TK -25°C to +100°C)
Temperature Coefficient	±250ppm/°C (TK±1000 ppm/°C)
Rotational Life	±10% (TK±15%)
Load Life	1000 hours 0.3Watt 70°C ±5% (TK 500 hours 0.2Watt 70°C ≤100KΩ, +7%>100KΩ, ±10%)

Physical Characteristics	
Torque (Operating)	50-350gf. Cm
Stop Strength	0.8kgf. cm
Soldering Conditions	240°C to 260°C And within 3 seconds
Marking	Resistance Code
Standard Packing	500 PCS Per bag
Aqueous cleaning not recommended	

TSR-825C-R



How to Order



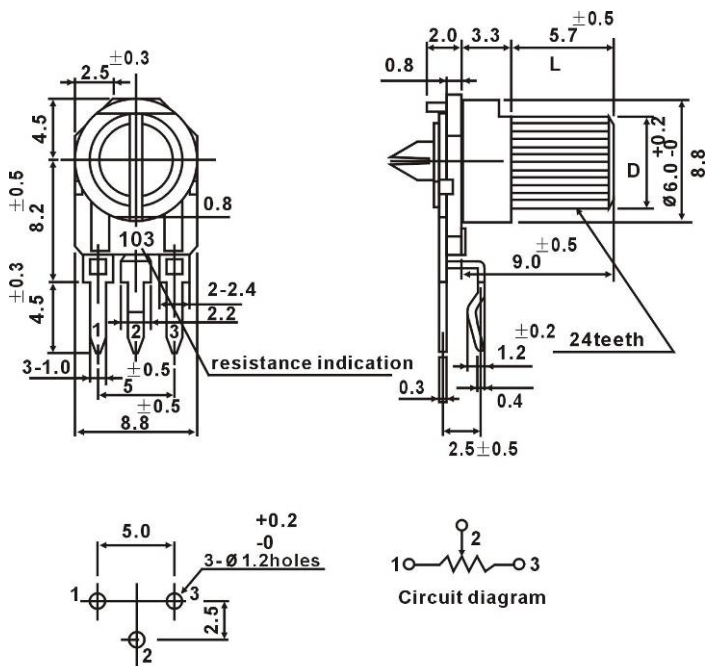
Standard Resistance table

Resistance(Ohms)	Resistance Code
100	101
200	201
300	301
500	501
1,000	102
10,000	103
100,000	104
1,000,000	105

Cover Style	L	D
Q	N1	4.2
	N2	6.7
	N4	12.7
G	K2	5.7
	K3	9.7
K5	15	6.0

MOUNTING DETAIL TOLERANCE ±0.1

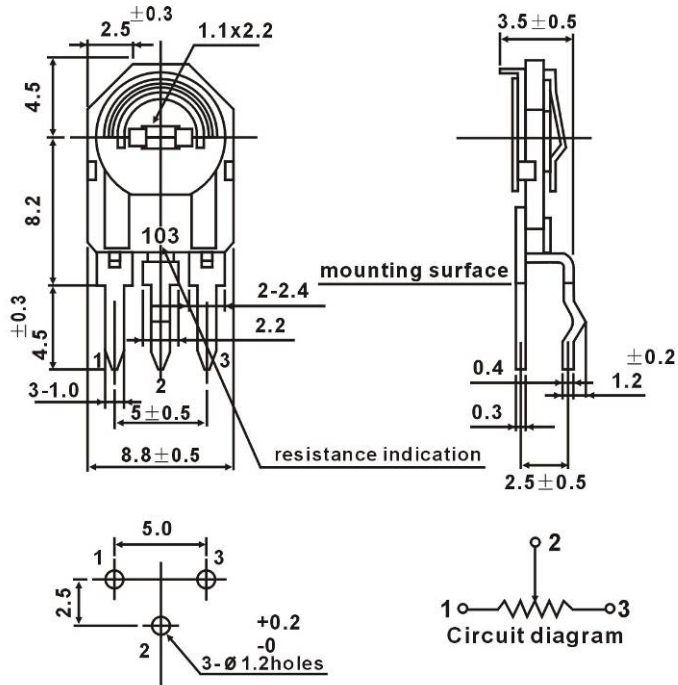
TSR-825H-F



MOUNTING DETAIL TOLERANCE ±0.1

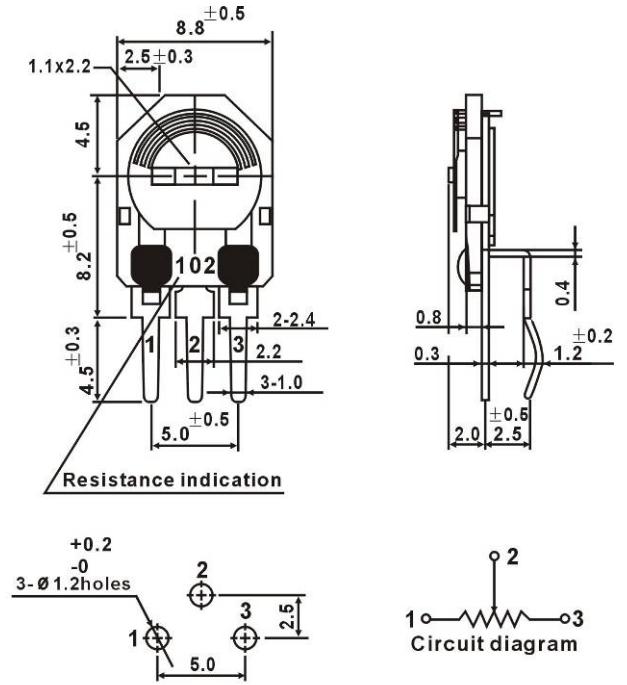
TSR-825

TSR-825M-F



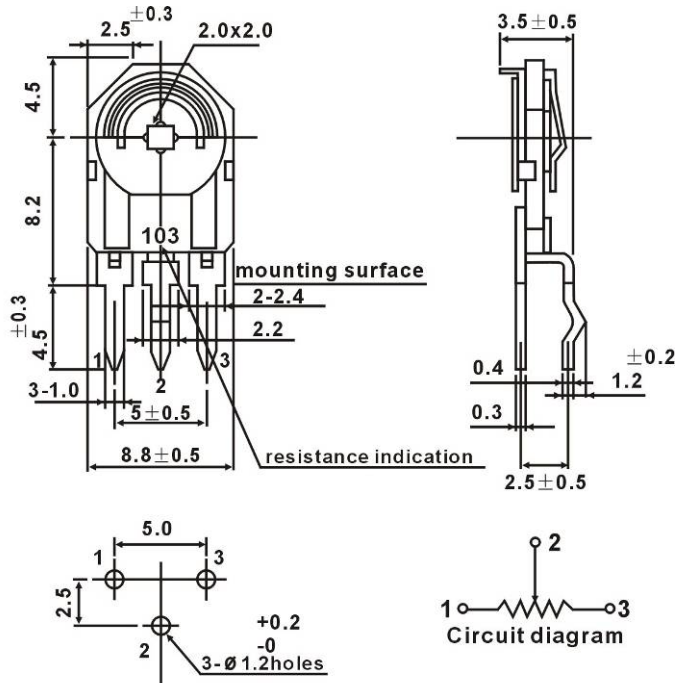
MOUNTING DETAIL TOLERANCE ± 0.1

TSR-825M-R



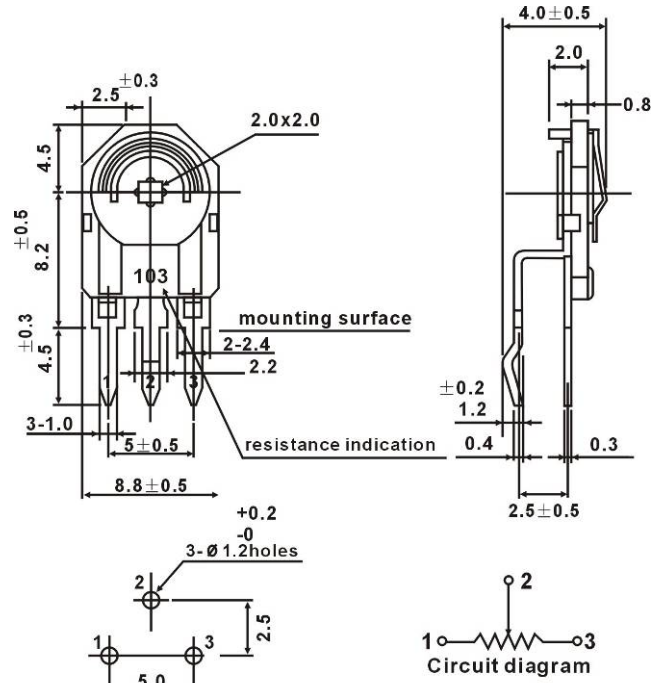
MOUNTING DETAIL TOLERANCE ± 0.1

TSR-825S-F



MOUNTING DETAIL TOLERANCE ± 0.1

TSR-825S-R



MOUNTING DETAIL TOLERANCE ± 0.1

Note: Specification are subject to change without notice. For more detail and update, please visit our website.