

TSR-105H

微 調 電 位 器

- 單圈的/碳膜型/工業用/密封
- (Single Turn/ Phenolic/ Industrial/ Sealed)

- 6 種引線的安裝尺寸
- (6 Terminal Styles)



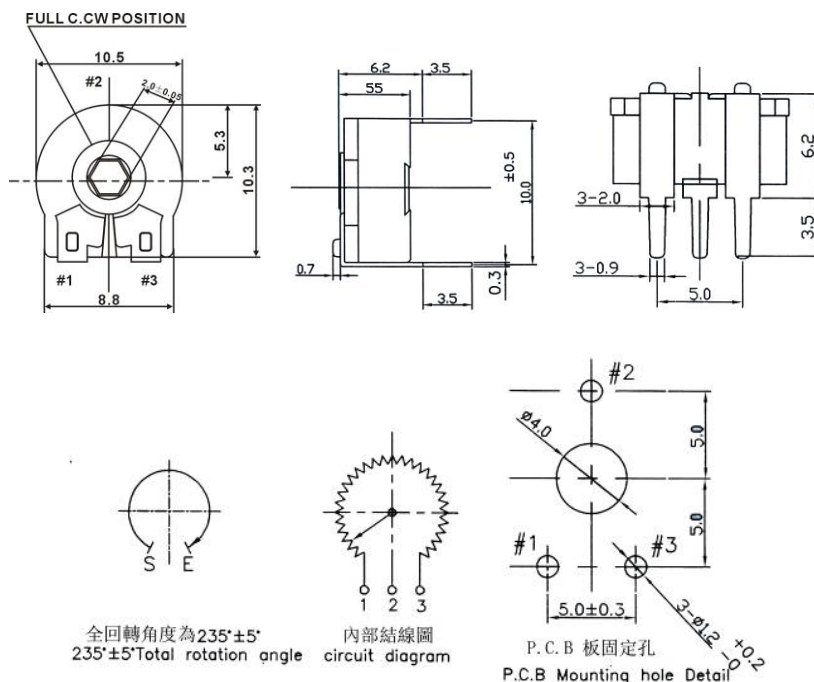
| 電氣特性 Electrical Characteristics | |
|-------------------------------------|--|
| 標稱阻值範圍 Standard Resistance Range | 10Ω - 2MΩ |
| 阻值允許偏差 Resistance Tolerance | ±10%, ±20%, ±30% |
| 殘留阻值 Residual Resistance | 不多於 10Ω 10Ω Maximum |
| 綫性 Resistance Taper | 對數/ Logarithm (A) 直綫/ Linear (B) 反對數/ Anti Logarithm (C) |
| 功率 Rated Power | 直綫型/ Linear (B), 0.15W 非直綫/ Non Linear (A,C), 0.07W |
| 使用電壓 Operating Voltage | 直綫型/ Linear (B), 250VDC 非直綫/ Non Linear (A,C), 125VDC |
| 旋轉壽命 Pototional Life | (a) 500 次/ 500 Cycles (b) 長壽命: 10,000 次/ Long Life: 10,000 Cycles |

| 機械性能 Mechanical Characteristics | |
|---------------------------------|------------------------------------|
| 旋轉角度 Rotational Angle | 235° ± 5° |
| 扭力矩 Rotational Torque | 20~200gf.cm |
| 止擋力矩 Stop-end Strength | 最小達 400g.cm 以上 400gf.cm minimum |

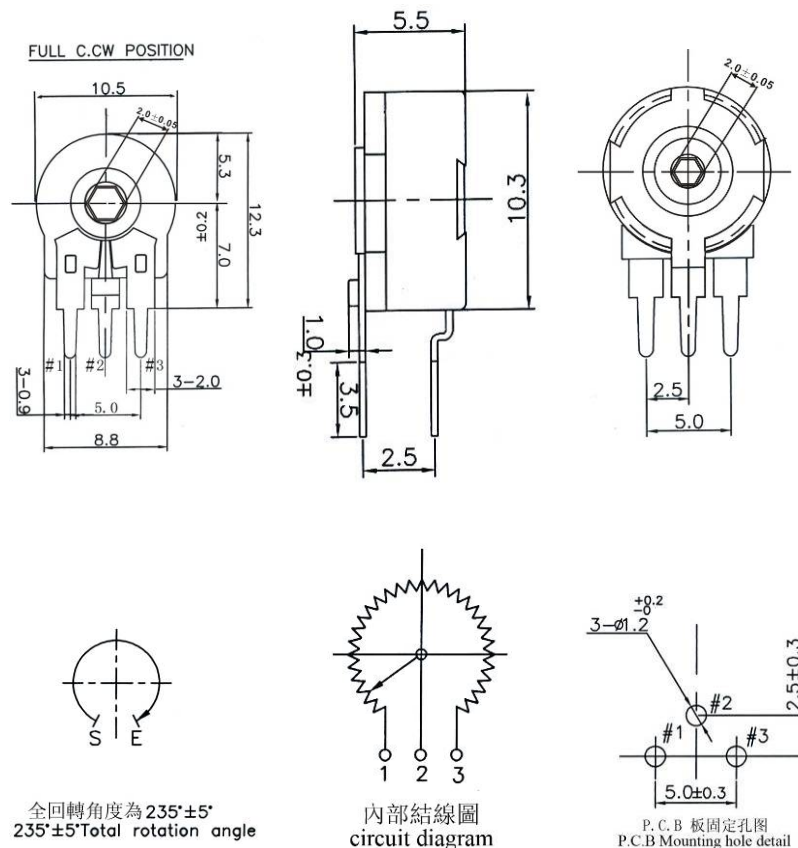
| 氣候特性 Climatic Characteristics | |
|-------------------------------|---|
| 使用溫度 Operating Temp | -25°C ~ 40°C |
| 溫度特性 Temp Characteristics | 以 70°C 綑 5 小時, 阻值變化為 +5~ -10% +5~ -10% change in NR after 5 hours at 70°C |
| Humidity Char | 在 40°C 溫度及相對濕度 95% 的情況下放置 500 小時, 阻值變化最大為 ±20% Maximum resistance change within ±20% after 500hours unloaded at 40°C and R.H.95% |

| 焊接條件 Soldering Conditions | |
|---------------------------|------------------|
| 焊接溫度 Temperature | 260°C |
| 焊接時間 Time | 3 秒 3 seconds |

TSR-105H

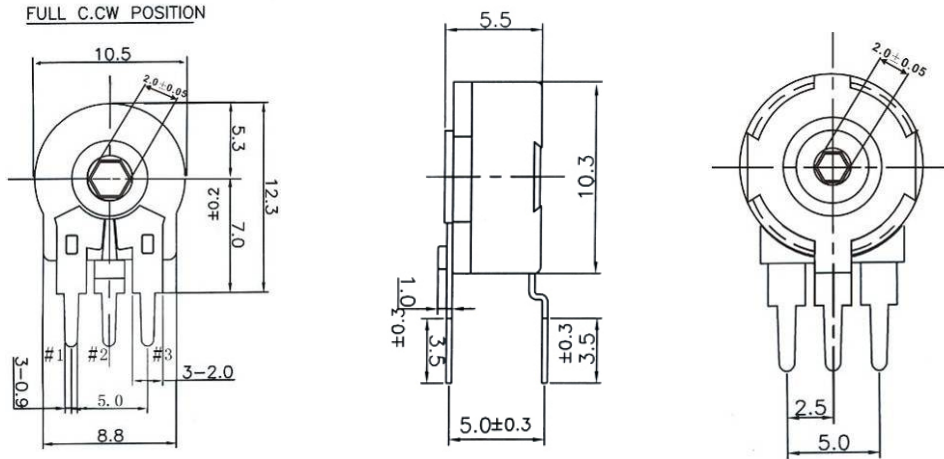


TSR-103H (5×2.5)

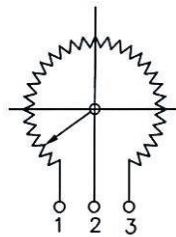


TSR-105H

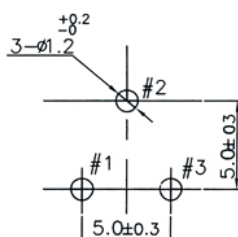
共有尺寸 Common Dimensions
TSR-103H(5×5)



全回轉角度為 235°±5'
235°±5' Total rotation angle

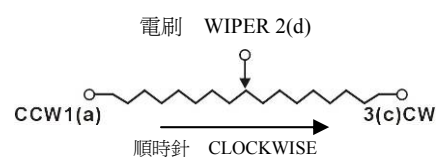
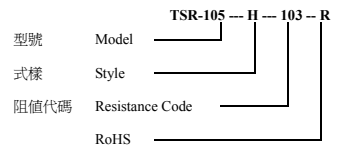


內部結線圖
circuit diagram



P.C.B 板固定孔圖
P.C.B Mounting hole detail

訂購指南 How to Order



圖中公差：除注明外均為±0.25
Tolerance is ±0.25 if no identification

阻值代碼表

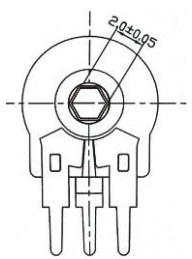
Standard Resistance table

| Resistance(Ohms) | Resistance Code |
|------------------|-----------------|
| 10 | 100 |
| 20 | 200 |
| 50 | 500 |
| 100 | 101 |
| 200 | 201 |
| 500 | 501 |
| 1,000 | 102 |
| 2,000 | 202 |
| 5,000 | 502 |
| 10,000 | 103 |
| 20,000 | 203 |
| 25,000 | 253 |
| 50,000 | 503 |
| 100,000 | 104 |
| 200,000 | 204 |
| 250,000 | 254 |
| 500,000 | 504 |
| 1,000,000 | 105 |
| 2,000,000 | 205 |

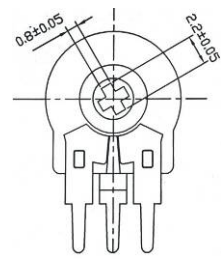
可按用戶要求提供特殊規格

Special resistances available.

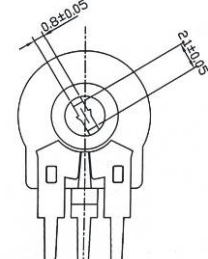
Rotors Type For without shaft



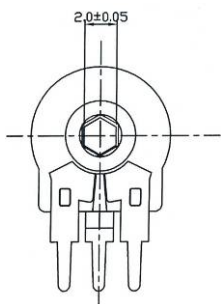
H=HEXAGONAL THRUHOLE
六角A



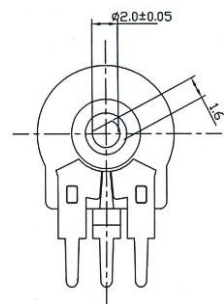
K=CROSS SLOT THRUHOLE
十字



S=SCREW DRIVER THRUHOLE
一字



G=HEXAGONAL THRUHOLE
六角B



D=SHAPE D1 * D THRUHOLE
D字

Note: Specification are subject to change without notice. For more detail and update, please visit our website.