

Hybrid Tantalum Capacitor (With Mounting flange)

Suntan®

TS2511

FEATURES

- Tantalum case, Hermetically Sealed, Cylindrical, Radial-lead, Heteropolarity, with mounting flange.
- Commingled by Electrolytic Tantalum Capacitor and Electrochemical Capacitor, Small size, Super Capacitance
- Stable in Electrical Performances, High Reliability, Long life-span, Maximum in the Density of Capacitance and Energy
- Built-in as battery in Energy-converted-circuit & Power-pulsed-circuit, functioned as filtering, storage energy, time-delay circuit.

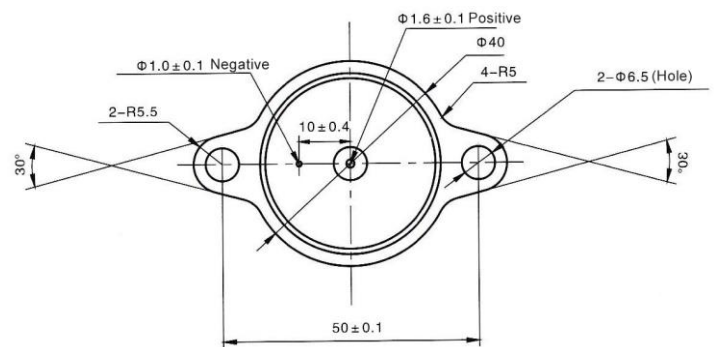
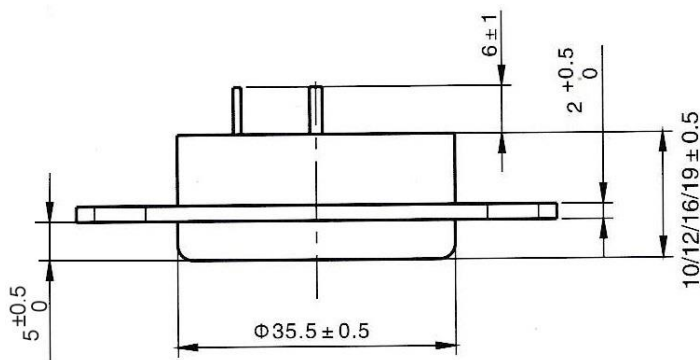
SPECIFICATIONS

Operating Temperature	-55°C to +125°C (to +125°C, with rated voltage derating)
Storage Temperature	-62°C ~ +130°C
Capacitance Tolerance	Q: (-10%~+30%), K: (±10%), M: (±20%)



Dimensions (unit: mm)

Φ35.5x10/12/16/19 Layout



TS2511

Electrical Characteristics

Rated Voltage (V)	Category Voltage (V)	Surge Voltage (V)	Cap. (μF)	tgδ (%)	ESR (Ω) 1kHz	DCL (μA)		Impedance at (Ω) 100Hz	Capacitance Change at (%)		Dimensions
						25°C	85°C, 125°C		-55°C	-55°C	85°C
10	6	11	100000	180	0.035	300	1800	1	-80	+160	36x12
			150000		0.025						36x16
16	9.5	17.6	60000	165	0.035	300	1800	1	-80	+160	36x12
			90000		0.025						36x16
25	15	27.5	36000	130	0.04	300	1800	1	-75	+160	36x12
			54000		0.035						36x16
35	20	38.	24000	95	0.04	300	1800	1	-70	+160	36x12
			36000		0.035						36x16
50	30	55	11000	65	0.1	300	2400	1.2	-60	+120	36x10
			12000	65	0.1	300					36x12
			16000	70	0.04	400					36x12
			18000	70	0.04	400					36x12
			24000	70	0.035	400					36x16
63	38	70	8000	50	0.04	400	2400	1.4	-45	+90	36x12
			12000		0.035						36x16
80	48	88	5600	40	0.06	500	3000	1.6	-40	+90	36x12
			8200		0.04						36x16
100	60	110	2400	35	0.08	500	3000	1.8	-30	+80	36x12
			3800		0.05						36x12
			3600		0.05						36x16
			5700		0.05						36x16
110	66	121	1200	35	0.08	500	3000	2	-25	+60	36x12
			1800		0.075						36x16
			3000		0.075						36x16
			4500		0.075						36x16
125	75	138	1100	30	0.08	500	3000	2.4	-25	+50	36x12
			1600		0.075			2.4	-25	+50	36x16
			2200		0.075			2.4	-25	+50	36x12
			3300		0.05			2.4	-25	+50	36x16
			3300		0.05			2.2	-20	+45	36x19

Note:

1. Please do not use multimeter through the measuring procedures (may cause irreversible damage and lead to discard).
2. Capacitance and DF measured at 100Hz, $U_{-}=2.20^{0}_{-1.0}V$, $U_{-}=1.0^{0}_{-0.5}V$ Test only applied in series equivalent circuit.
3. Voltage derating is applied at +125°C. (The DCL parameter should be read after 5 minutes when it connected to the circuit).
4. Special size and demand could consult with us.

Note: Specifications are subject to change without notice. For more details and updates, please visit our website.