

TS2508

FEATURES

- Tantalum case, Hermetically Sealed, Cylindrical, Radial-lead, Heteropolarity, with screws, convenient to fix.
- Commingled by Electrolytic Tantalum Capacitor and Electrochemical Capacitor.
- Stable in Electrical Performances, High Reliability, Long life-span, Maximum in the Density of Capacitance and Energy
- Built-in as battery in Energy-converted-circuit & Power-pulsed-circuit, functioned as filtering, storage energy, time-delay circuit.

SPECIFICATIONS

Operating Temperature	-55°C to +125°C (to +125°C, with rated voltage derating)
Storage Temperature	-62°C ~ +130°C
Capacitance Tolerance	Q:(-10%~+30%), K:(±10%), M:(±20%)



Dimensions(Unit:mm)

Case Code	D (mm)	H (mm)	Lead Length	
			Positive Pole	Negative Pole
A	12	9	4	6
B1	15	8	4	12
B2	15	8	2.3	2.3
C1	16	8	6	6
C2	16	8	4	4
D1	16	12	6	6
D2	16	12	4	4
E1	16	16	6	6
E2	16	16	4	4
F	19	10	2.6	2.6
G	19	18	6	6

TS2508

Electrical Characteristics

Rated Voltage (V)	Category Voltage (V)	Surge Voltage (V)	Cap. (µF)	tgδ (%)	ESR (Ω) 1kHz	DCL	(µA)	Impedance at (Ω) 100Hz	Case Code
						25°C	85°C	-55°C	
10	6	11	10000	125	0.35	60	480	5.2	B1/B2
			10000	120	0.2	50	400	4.6	C1/C2
			15000	120	0.2	100	800	3.6	D1/D2
			22000	120	0.1	160	1200	3.4	E1/E2
16	9.5	17.6	2200	120	0.8	28	220	20	A
			5000	105	0.35	60	480	5.0	B1/B2
			6200	100	0.2	50	400	4.4	C1/C2
			9000	100	0.2	100	800	3.6	D1/D2
			13500	100	0.1	160	1200	3.4	E1/E2
25	15	27.5	1800	100	0.6	35	280	28	A
			3800	85	0.35	60	480	4.8	B1/B2
			3800	80	0.2	50	400	4.6	C1/C2
			4200	80	0.2	50	400	4.4	C1/C2
			6000	80	0.2	100	800	3.6	D1/D2
			9000	80	0.1	160	1200	3.4	E1/E2
30	18	33	3000	85	0.4	60	480	5.2	B1/B2
			3400	80	0.25	50	400	4.8	C1/C2
35	20	38.5	820	60	1.2	20	160	30	A
			2500	55	0.4	60	480	4.6	B1/B2
			2500	50	0.25	50	400	4.4	C1/C2
			4600	50	0.2	100	800	3.8	D1/D2
			7000	50	0.1	160	1200	3.4	E1/E2
40	24	44	100	30	2.8	4	30	40	A
			500	50	2.0	10	80	20	A
			1000	35	1.0	20	160	10	A
50	30	55	680	40	1.2	28	220	12.8	A
			1000	40	0.3	35	325	5.4	C1/C2
			1400	40	0.25	50	400	5.2	C1/C2
			1500	45	0.4	60	480	5.0	B1/B2
			1500	40	0.25	50	400	4.0	C1/C2
			1600	40	0.25	50	400	4.0	C1/C2
			2800	40	0.2	100	800	2.8	D1/D2
			4200	40	0.1	160	1200	2.1	E1/E2
60	36	66	875	40	0.35	50	400	8.0	C1/C2
			980	45	0.5	60	480	7.6	B1/B2
			1000	40	0.35	50	400	7.0	C1/C2
63	38	70	470	30	0.35	30	240	12.8	C1/C2
			500	35	1.4	25	200	10.6	A
			610	30	0.35	42	336	8.2	C1/C2
			1000	30	0.4	60	480	7.6	B1/B2
			1200	30	0.25	80	640	6.8	D1/D2
			1800	30	0.15	100	800	4.2	E1/E2
			2200	25	0.4	120	960	3.0	E1/E2
			2200	25	0.4	120	960	2.8	F

TS2508

Electrical Characteristics

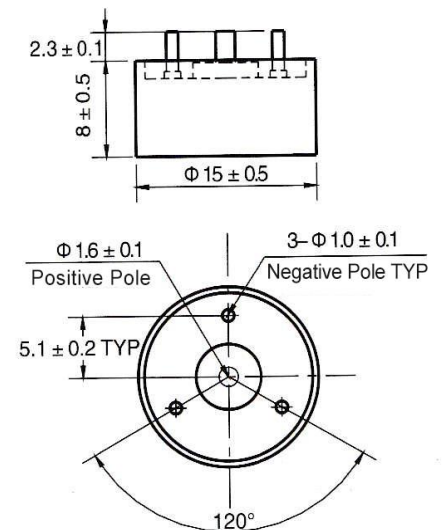
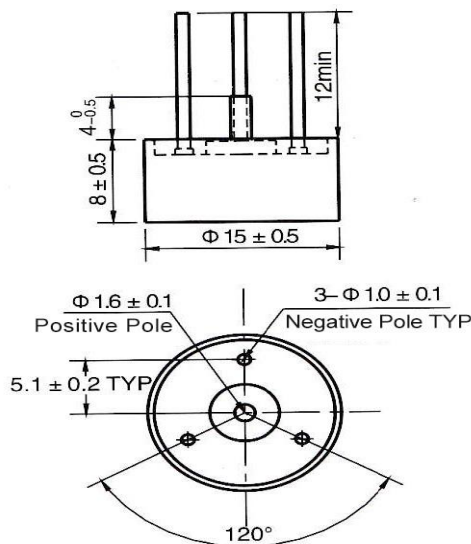
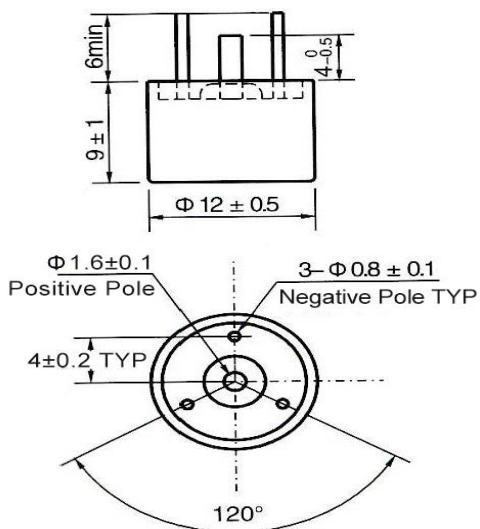
Rated Voltage (V)	Category Voltage (V)	Surge Voltage (V)	Cap. (µF)	tgδ (%)	ESR (Ω) 1kHz	DCL	Impedance at (Ω) 100Hz		Case Code
						25°C	85°C	-55°C	
75	45	82.5	565	20	0.5	50	400	9.0	C1/C2
			630	25	0.6	60	480	8.2	B1/B2
			700	20	0.5	50	400	8.0	C1/C2
			1400	20	0.15	105	945	7.5	D1/D2
			1400	20	0.15	105	945	7.5	E1/E2
80	48	88	220	30	1.6	14	110	20	A
			500	25	0.35	44	352	10	C1/C2
			600	25	0.30	48	384	12	D1/D2
			1000	25	0.25	88	704	8.0	D1/D2
			1500	25	0.15	130	1084	6.2	E1/E2
100	60	110	100	25	2.2	8	65	40	A
			180	25	0.4	26	208	18	C1/C2
			360	25	0.8	50	400	32	C1/C2
			360	25	0.35	50	400	16	D1/D2
			540	25	0.3	80	640	14	E1/E2
110	66	121	130	20	0.45	15	120	30	C1/C2
			260	20	0.35	30	240	18	D1/D2
			390	20	0.3	50	400	16	E1/E2
125	75	138	68	20	2.6	8	65	40	A
			100	20	0.5	12	100	30	C1/C2
			210	20	1.25	50	224	36	C1/C2
			200	20	0.4	28	224	18	D1/D2
			300	20	0.3	42	336	16	E1/E2

Dimensions (Unit:mm)

Case Code: A Φ12x9 Layout

Case Code: B1 Φ15x8 Layout

Case Code: B2 Φ15x8 Layout



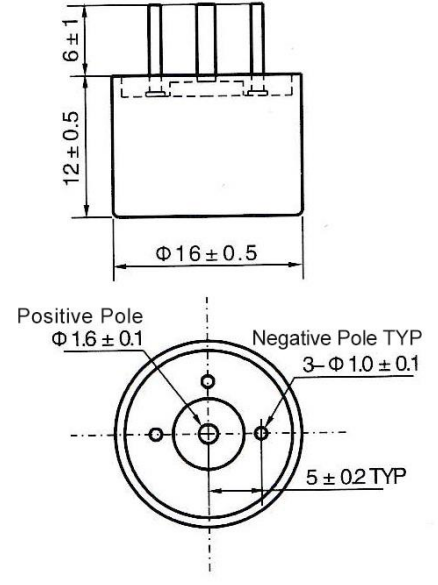
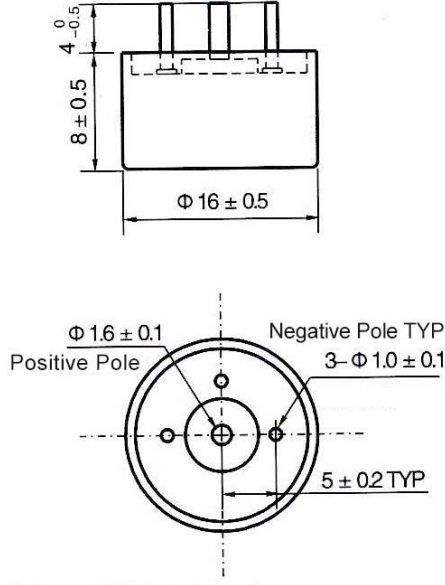
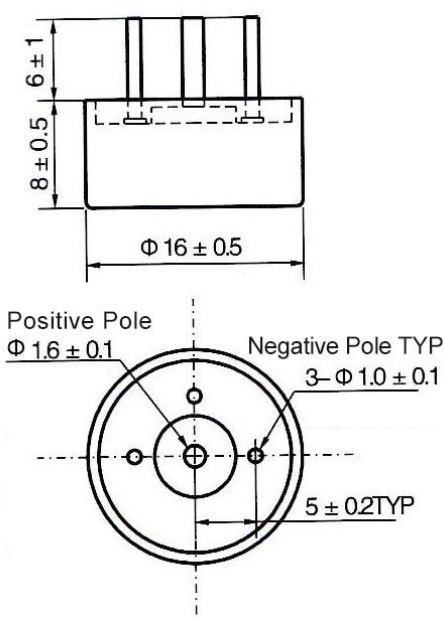
TS2508

Dimensions(Unit:mm)

Case Code: C1 $\Phi 16 \times 8$ Layout

Case Code: C2 $\Phi 16 \times 8$ Layout

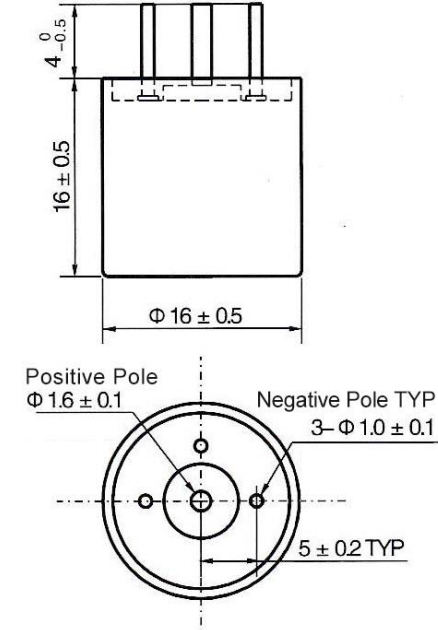
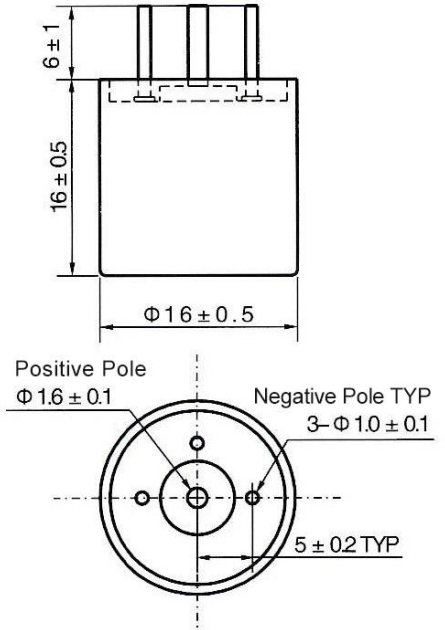
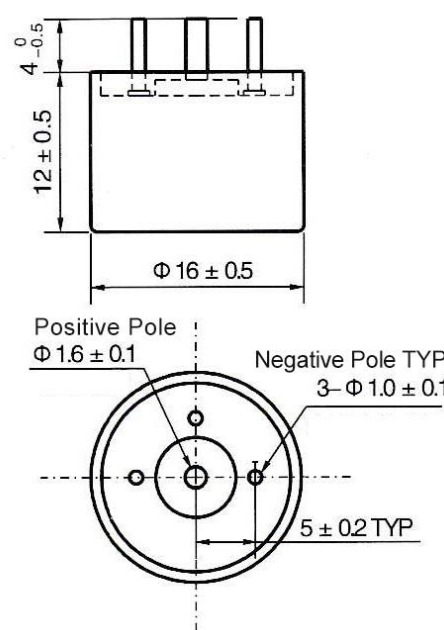
Case Code: D1 $\Phi 16 \times 12$ Layout



Case Code: D2 $\Phi 16 \times 12$ Layout

Case Code: E1 $\Phi 16 \times 16$ Layout

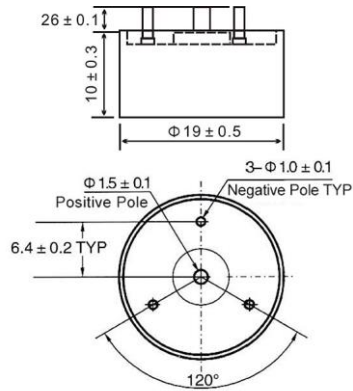
Case Code: E2 $\Phi 16 \times 16$ Layout



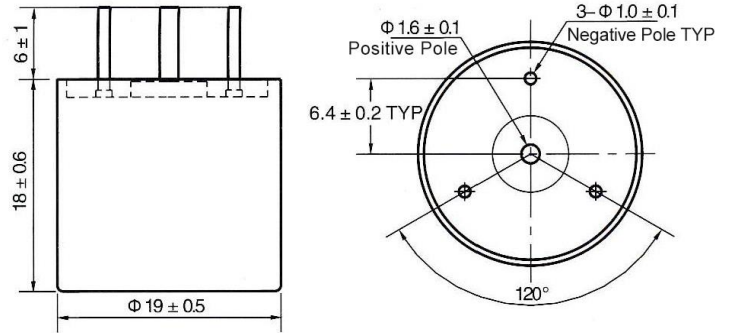
TS2508

Dimensions(Unit:mm)

Case Code: F $\Phi 19 \times 10$ Layout



Case Code: G $\Phi 19 \times 18$ Layout



Note:

1. Please do not use multimeter through the measuring procedures (may cause irreversible damage and lead to discard).
2. Capacitance and DF measured at 100Hz, $U_+ = 2.20_{-1.0}^0$ V, $U_- = 1.0_{-0.5}^0$ V Test only applied in series equivalent circuit.
3. Voltage derating is applied at $+125^\circ\text{C}$. (The DCL parameter should be read after 5 minutes when it connected to the circuit).
4. Special size and demand could consult with us.