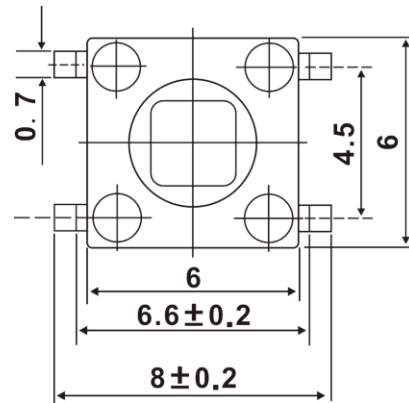
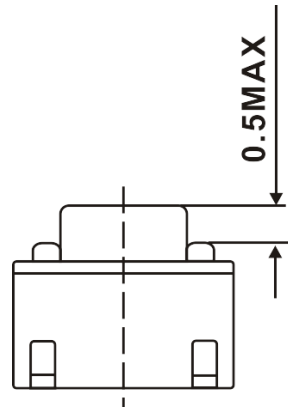
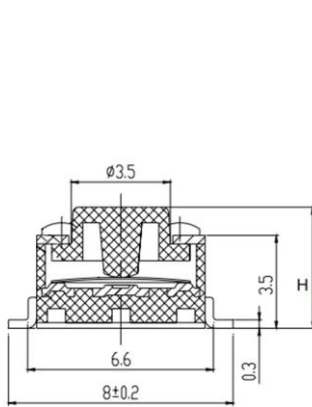


TACT SWITCH

Suntan®

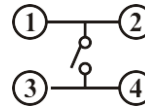
TSS-TD-06XG



General Tolerance: $\pm 0.2\text{mm}$

MODEL NO	H (mm)	Tape & Reel Option
TSS-TD-06XG	4.3	Yes
TSS-TD-06XA	5	Yes
TSS-TD-06XB	7	Yes
TSS-TD-06XD	8	Yes
TSS-TD-06XE	9.5	Yes
TSS-TD-06XF	12.5	No
	CODE	OPERATING FORCE(gf)
	T	100±30
	V	130±30
	X	160±50
	W	170±50
	Y	190±50
	Z	250±100

CIRCUIT DIAGRAM



SPECIFICATIONS

1. RATING:DC 12V 50mA
2. TRAVEL:0.25±0.1mm
3. CONTACT RESISTANCE 100 mΩMAX

Note: Specification are subject to change without notice. For more detail and update, please visit our website.