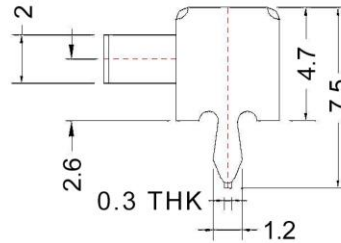
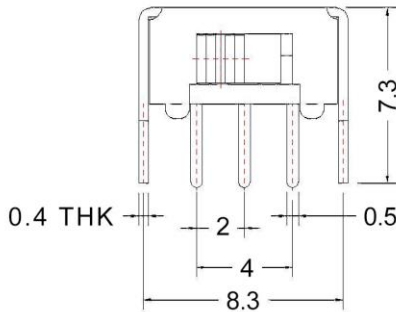
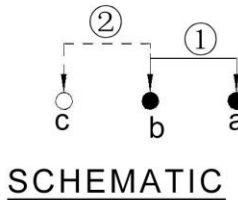
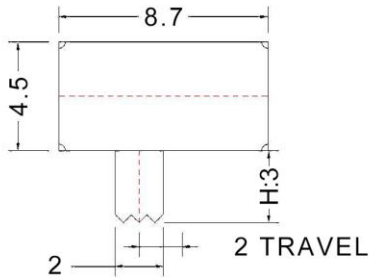


TSS-SK-12D02



SPECIFICATION:

1. RATING: DC 50V 30mA
2. CONTACT RESISTANCE: 100m MAXΩ. (INITIAL).
3. INSULATION RESISTANCE: 100mΩ MIN. AT 250VDC.
4. WITHSTAND VOLTAGE: AC 500V FOR 1 MIN
5. DIP SOLDERING: 230±5°C TEMPERATURE, 5±1SECOND
6. MANUAL SOLDERING: 350±10°C TEMPERATURE, 3±1SECOND
7. OPERATING FORCE: -20 °C to +80 °C
8. SWITCHING LIFE: 10,000 CYCLES

NOTE: THK means Thickness

MODEL NO	H (mm)
TSS-SK-12D02	3

CODE	OPERATING FORCE(gf)
Z	250gf±100gf

No dimensional tolerances specified	
≤1	±0.1
1 ~ 10	±0.2
10 ~ 100	±0.3
>100	±0.5
Angel	±3°

Note: Specification are subject to change without notice. For more detail and update, please visit our website.