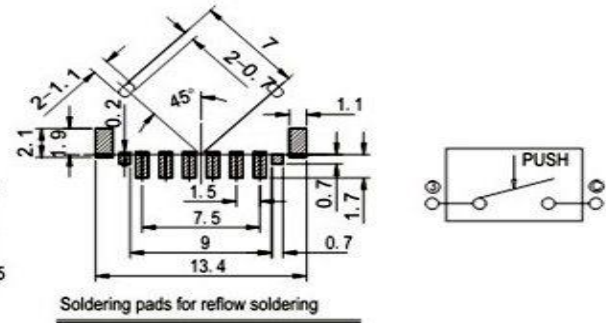
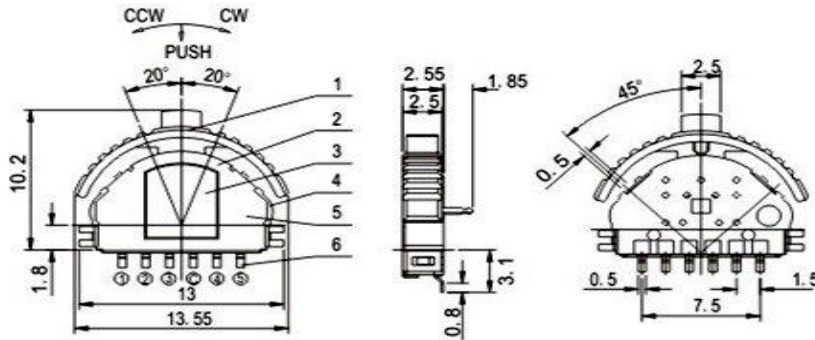


LEAVE SWITCH

Suntan®

TSS-LE-C

General Tolerance: $\pm 0.2\text{mm}$



Tape & Reel Option
Yes

CODE	OPERATING FORCE (gf)
E	200±100

SPECIFICATIONS

- RATING:** DC 12V / 50mA
- CONTACT RESISTANCE:** $\leq 50\text{m}\Omega$
- LIFE:** More than 100,000 times
- INSULATION RESISTANCE:** $\geq 100\text{M}\Omega$
- VOLTAGE PROOF:** 250V AC / 1min

Note: Specification are subject to change without notice. For more detail and update, please visit our website.