

TSR-3590

精密多圈繞電位器

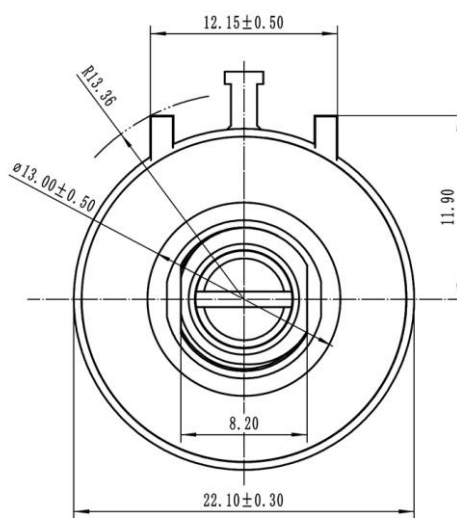
■ 多圈的/圓形/繞繞/面板式
 ■ (Multiturn/ Round/ Wire Wound)

■ 2種轉軸的樣式
 ■ (2 Shaft Styles)

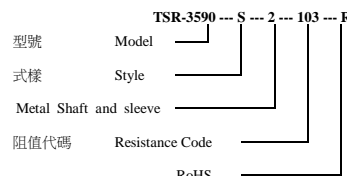


電氣特性 Electrical Characteristics	
標稱阻值範圍 Standard Resistance Range	100Ω - 100KΩ
阻值允許偏差 Resistance Tolerance	±5%
獨立綫性度 Independent Linearity	±0.5%
有效電行程 Effective Electrical Travel	≥3600° - 10°
終端電阻 Terminal Resistance	≤0.2% R 或 5Ω
轉動噪音 Noise	≤3% R 或 3Ω
絕緣電阻 Insulation Resistance	R ≥ 1GΩ
耐電壓 Withstand Voltage	101.3kPa710V, 8.5kPa470V

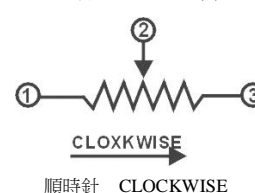
共有尺寸 Common Dimensions



訂購指南 How to Order



電刷 WIPER 2(d)



圖中公差：除注明外均為±0.25
 Tolerance is ±0.25 if no identification

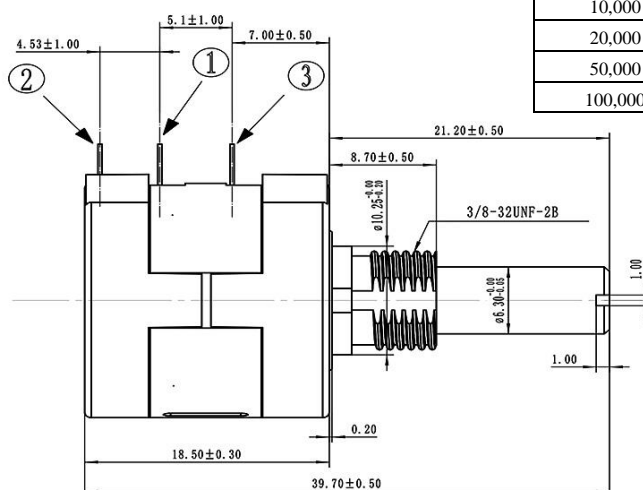
環境特性 Environmental Characteristics	
額定功率 Power Rating	2W@+70°C, 0W@+125°C
工作溫度範圍 Temperature Range	-55°C ~ +125°C
電阻溫度係數 Temperature Coefficient	±100ppm/°C
溫度變化 Temperature Variation	ΔR ≤ ±2% R, Δ(Uab/Uac) ≤ ±1%
碰撞 Collision	390m/s ² , 4000cycles, R ≤ ±1% R
振動 Vibration	10-500Hz, 0.75mm, 或 98m/s ² , 6h ΔR ≤ ±1% R, Δ(Uab/Uac) ≤ ±2%
氣候順序 Climate Category	ΔR ≤ ±3% R, R _i ≥ 100MΩ
70°C 電氣久性 Electrical Endurance at 70°C	2W, 1000h, ΔR ≤ ±3% R
機械耐久性 Mechanical Endurance	10000 周 (cycles), ΔR ≤ ±3% R
穩態溫熱 Steady damp-heat	ΔR ≤ ±3% R, R _i ≥ 100MΩ

阻值代碼表

Standard Resistance table

Resistance(Ohms)	Resistance Code
1,000	102
2,000	202
5,000	502
10,000	103
20,000	203
50,000	503
100,000	104

可按用戶要求提供特殊規格
 Special resistances available.



Note: Specifications are subject to change without notice. For more detail and update, please visit our website.