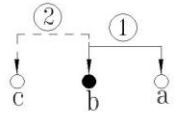
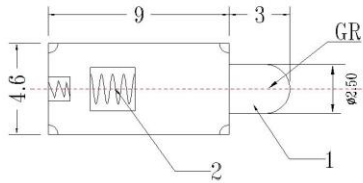


# PUSH SWITCH

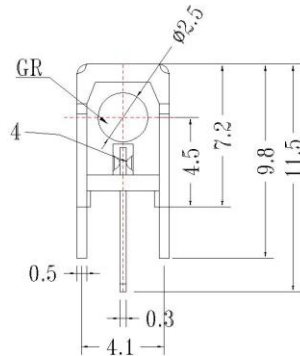
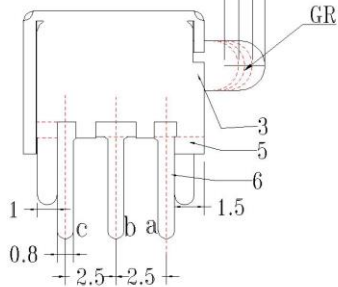
Suntan®

## TSS-PS-12D43



SCHEMATIC

2.0±0.2 TOTAL TRAVEL  
 1.1±0.3 TRAVEL OF b CONTACT c  
 0.7±0.3 TRAVEL OF b ISOLATION a



Note: GB means Round Button

MODEL NO	H (mm)
TSS-PS-12D43	3

CODE	OPERATING FORCE(gf)
H	30gf±15gf

No dimensional tolerances specified	
≤1	±0.1
1 ~ 10	±0.2
10 ~ 100	±0.3
>100	±0.5
Angel	±3°

### SPECIFICATION:

1. RATING: DC 50V 30mA
2. CONTACT RESISTANCE: 100m MAXΩ. (INITIAL).
3. INSULATION RESISTANCE: 100mΩ MIN.AT 250VDC.
4. WITHSTAND VOLTAGE: AC 500V FOR 1 MIN
5. DIP SOLDERING: 230±5°C TEMPERATURE, 5±1SECOND
6. MANUAL SOLDERING: 350±10°C TEMPERATURE, 3±1SECOND
7. OPERATING FORCE: -20 °C to +80 °C
8. SWITCHING LIFE: 10,000CYCLES

Note: Specification are subject to change without notice. For more detail and update, please visit our website.