

# BR25005W THRU BR2510W

## GLASS PASSIVATED BRIDGE RECTIFIERS

VOLTAGE RANGE 50 to 1000 Volts    CURRENT 25.0 Ampere

### FEATURES

- ◆ Surge overload -300~450 amperes peak
- ◆ Low forward voltage drop
- ◆ Mounting position :Any
- ◆ Electrically isolated base-2000 Vlots
- ◆ Solderable 0.25" FASTON terminals

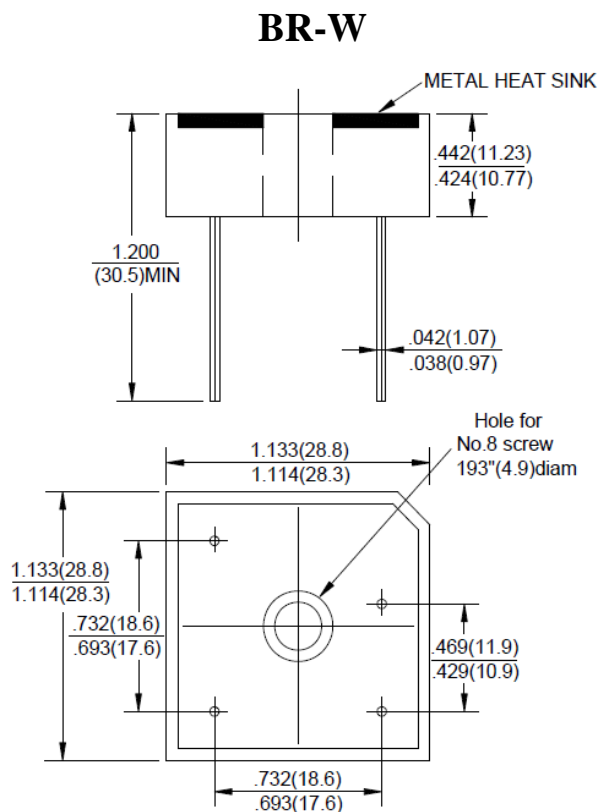
### MAXIMUM RATINGS AND

### ELECTRICAL CHARACTERISTICS

Rating at 25°C ambient temperature unless otherwise specified.

Single phase, half wave ,60Hz, resistive or inductive load.

For capacitive load, derate current by 20%



### MAXIMUM RATINGS AND ELECTRICAL CHARACTERISTICS

PARAMETER	SYMBOL	BR 25005W	BR 2501W	BR 2502W	BR 2504W	BR 2506W	BR 2508W	BR 2510W	UNIT
Maximum Recurrent Peak Reverse Voltage	$V_{RRM}$	50	100	200	400	600	800	1000	V
Maximum RMS Bridge Input Voltage	$V_{RMS}$	35	70	140	280	420	560	700	V
Maximum Average Forward Rectified Output Current @ $T_C=55^\circ C$	$I_{(AV)}$	25							A
Peak Forward Surge Current 8.3ms Single Half Sine-Wave Super Imposed on Rated Load	$I_{FSM}$	350							A
Maximum Forward Voltage Drop Per Element at 5.0/7.5/12.5/17.5 /25.0A Peak	$V_F$	1.1							V
Maximum Reverse Current at Rated DC Blocking Voltage Per Element @ $T_A=25^\circ C$	$I_R$	10							uA
Operating Temperature Range	$T_J$	-55 to +150							°C
Storage Temperature Range	$T_{stg}$	-55 to +150							°C

# BR25005W THRU BR2510W

GLASS PASSIVATED BRIDGE RECTIFIERS  
 VOLTAGE RANGE 50 to 1000 Volts    CURRENT 25.0 Ampere

FIG.1-MAXIMUM FORWARD SURGE CURRENT

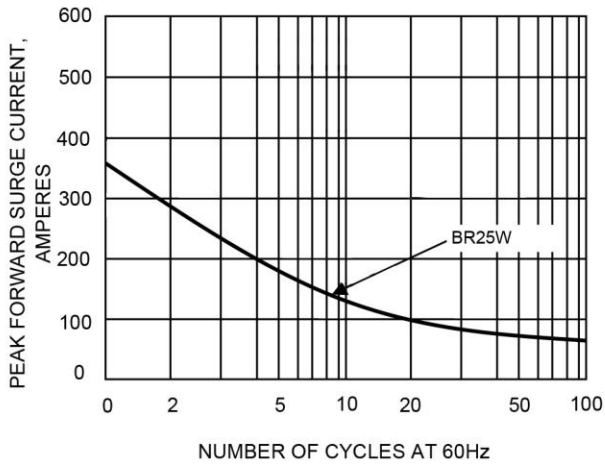


FIG.2- DERATING CURVE OUTPUT RECTIFIED CURRENT

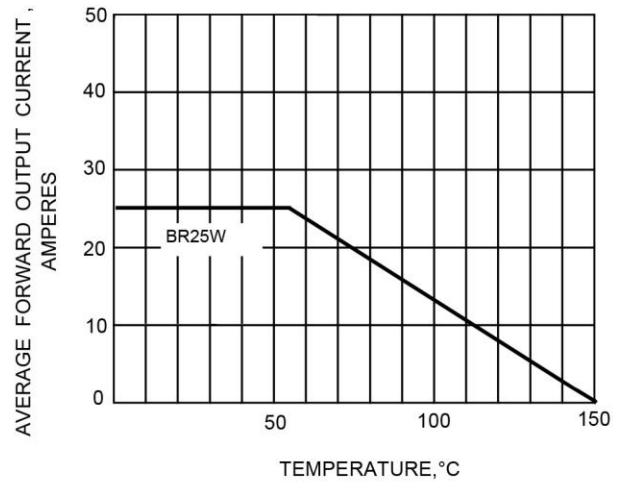


FIG.3-TYPICAL FORWARD CHARACTERISTICS

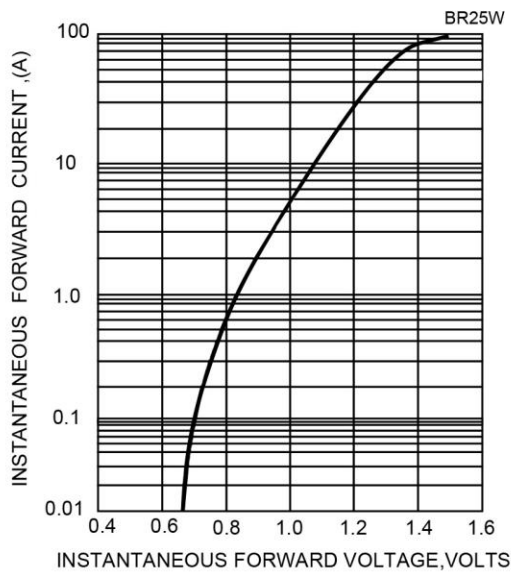
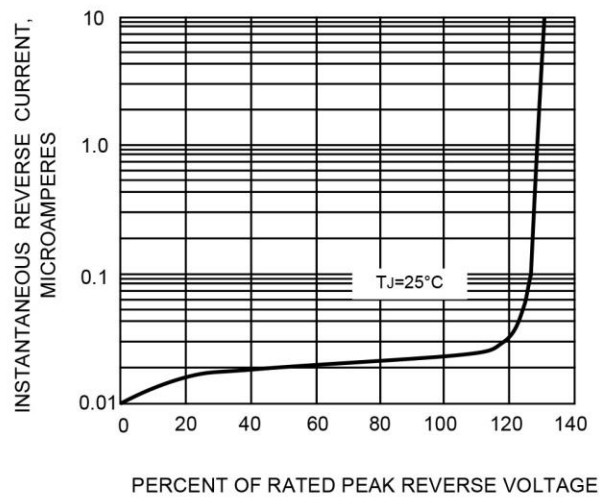


FIG.4-TYPICAL REVERSE CHARACTERISTICS



Note: Specifications are subject to change without notice. For more detail and update, please visit our website.